

# GAS & SPECIALTY SENSORS

## SINGLE POINT TRANSMITTER AND CONTROLLER SPC3 SERIES



### DESCRIPTION

The Intec Controls SPC3 Series single point gas detection system detects and controls levels of carbon monoxide (CO) and other gases in a wide variety of commercial and industrial applications. These include Carbon Monoxide levels in parking structures, engine repair shops, equipment rooms and ventilation systems, etc. The controller can communicate with any compatible electronic analog control, DDC/PLC control or automation system via binary and/or analog output signal. The SPC3 Series has been tested by an independent laboratory, is CE approved and also approved by the City of Los Angeles.

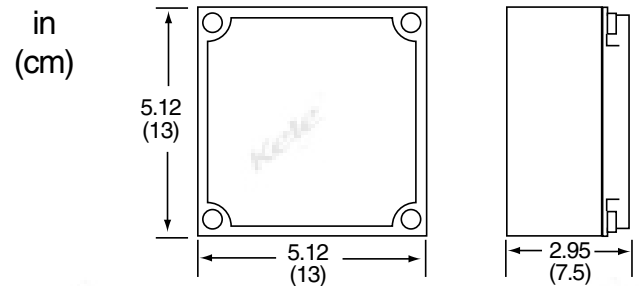


SPC3-1112-2-00

### FEATURES

- LCD display
- Selectable analog outputs
- 2 Relay outputs
- LED status indicators
- Simple menu driven programming

### DIMENSIONS



7

GAS & SPECIALTY SENSORS

### SPECIFICATIONS

|                           |  |                                   |   |
|---------------------------|--|-----------------------------------|---|
| <b>Supply Voltage</b>     | 24 VAC -20%/+15% @ 5 VA, 50/60 Hz or 24 VDC -20%/+15% @ 208 mA | <b>Life Expectancy</b>            | 3-5 years for 1000 models, 3 years for 3000 models                                  |
| <b>Signal Output</b>      | 0/4-20 mA @ 500Ω; 0/2-10 VDC @ 50kΩ                            | <b>Visual Indication</b>          | On, stage status, failure   |
| <b>Repeatability</b>      |  | <b>Display</b>                    | 2 lines, 16 characters per line   |
| <b>CO</b>                 | ±3 ppm of reading  | <b>Response Time</b>              | t90 <50 seconds   |
| <b>NH3</b>                | 3% of reading  | <b>Relay Output</b>               | (1) SPDT. (1) NC-SPST or (1) NO SPST. 30 VAC/VDC @ 0.5 A, (10 ppm DIF) (10 ppm DIF) |
| <b>NO2</b>                | 2% of reading  | <b>Alarm Auditory Levels [Db]</b> | 83 db @ unit  |
| <b>O2</b>                 | 0.1% of reading  | <b>Wiring Terminations</b>        | Terminal blocks, screw type for lead wire   |
| <b>3000 models</b>        | ±2% of reading   | <b>Operating Temperature</b>      | 14° to 122°F (-10° to 50°C)   |
| <b>Measurement Range</b>  |  | <b>Operating Humidity</b>         | 15 to 95%, non-condensing   |
| <b>CO</b>                 | 0-250 ppm, span field calibratable<br>0 to 200-300             | <b>Dimensions</b>                 | 5.12"W x 5.12"H x 2.95"D<br>(13 x 13 x 7.5 cm)                                      |
| <b>NH3</b>                | 0-300 ppm  | <b>Weight</b>                     | 0.6 lbs (0.3 Kg)  |
| <b>N02</b>                | 0-10 ppm   | <b>Approvals</b>                  | CE, City of Los Angeles   |
| <b>O2</b>                 | 0-25 %   | <b>Warranty</b>                   | 1 year  |
| <b>3000 models</b>        | 0 to 100% L.E.L.   |                                   |   |
| <b>Sensing Technology</b> |  |                                   |   |
| <b>1000 models</b>        | Electrochemical  |                                   |   |
| <b>3000 models</b>        | Catalytic bead   |                                   |   |

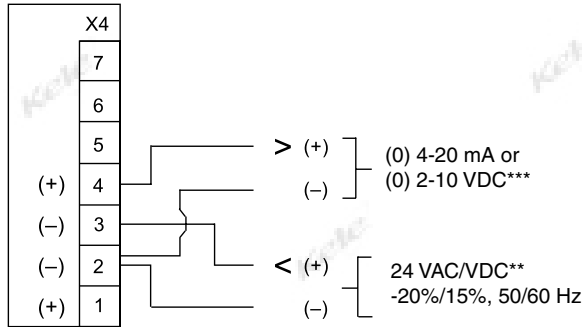


# GAS & SPECIALTY SENSORS

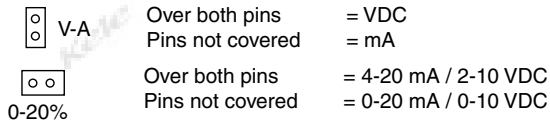
## SINGLE POINT TRANSMITTER AND CONTROLLER SPC3 SERIES

### WIRING

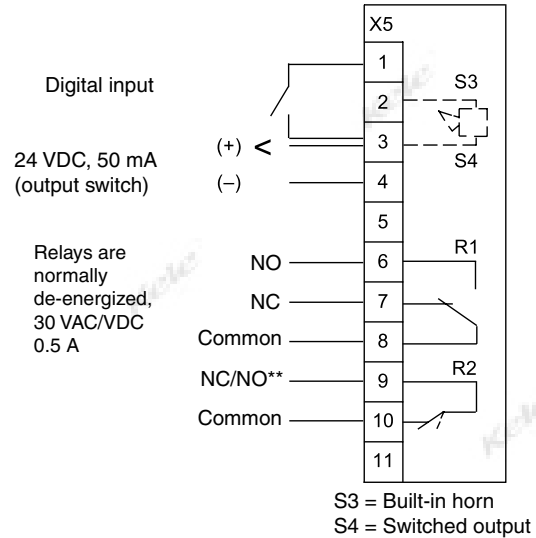
#### 24 VAC/VDC Input Power Supply, and Analog Output



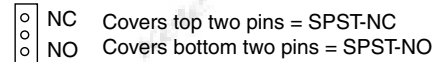
\*\*\*Jumper output signal "AO01" range selectors:



#### Relay Outputs



\*\*Jumper SPST relay (R2) NC/NO selector:



7

GAS & SPECIALTY SENSORS

### ORDERING INFORMATION

|                      |   |
|----------------------|---|
| <b>SPC3-1112-200</b> | Carbon Monoxide (CO) single point transmitter and controller    |
| <b>SPC3-1120-200</b> | Ammonia (NH3) single point transmitter and controller           |
| <b>SPC3-1130-200</b> | Nitrogen Dioxide (NO2) single point transmitter and controller  |
| <b>SPC3-1195-200</b> | Oxygen (O2) single point transmitter and controller             |
| <b>SPC3-3330-200</b> | Benzene/Gasoline (C6H6) single point transmitter and controller |
| <b>SPC3-3340-200</b> | Hydrogen (H2) single point transmitter and controller           |
| <b>SPC3-3355-200</b> | Methane (CH4) single point transmitter and controller           |
| <b>SPC3-3380-200</b> | Propane (C3H8) single point transmitter and controller          |
| <b>SPC3-3389-200</b> | Jet A single point transmitter and controller                   |

#### RELATED PRODUCTS

|                        |  |
|------------------------|--|
| <b>GAS-CO-200</b>      | 200 ppm carbon monoxide (CO) in air, 17L   |
| <b>CC-STANDARD -17</b> | Briefcase style calibration kit with foam inserts for 17 liter cylinders                       |
| <b>GR-17-300</b>       | Regulator precalibrated for SPC3   |
| <b>CONKIT-E/CH-LC</b>  | Calibration cup with 6 ft of tubing  |
| <b>UCK-1</b>           | Universal calibration kit for non-corrosive gases (N2, CO2, CH4, H2, O2, CO, and refrigerants) |

#### ACCESSORIES

|                  |   |
|------------------|---|
| <b>691-K0A</b>   | Control transformer, 120:24 VAC, 40 VA, Class 2 |
| <b>DCP-1.5-W</b> | Power supply, 24 VAC IN to 24 VDC OUT           |
| <b>DCPA-1.2</b>  | Power supply, 120 VAC IN to 24 VAC/24 VDC OUT   |